

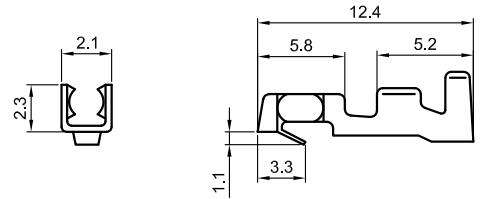
The information provided herein is from CONNPLY Electronic Co., Ltd. and is confidential. Any disclosure to a party other than the recipient is prohibited. The intellectual properties and its rights contained herein, including but not limited to, trademarks, patents, copyrights, trade secrets, and technical know-how, are owned exclusively by CONNPLY or its affiliates. Unauthorized use or modification is strictly prohibited. CONNPLY may enforce its intellectual property rights at its own discretion; failures or delays to exercise such rights does not constitute a waiver of such rights.

1 2 3 4 5 6 7 8

Dept	
Qty	
DC	1
ED	1
IE	1
ISO	1
PD	1
R&D	1
SD	1
QA	1
QC	1
QE	1

REV.	DESCRIPTION	DRAWN	CHECKED	APPROVED
A	NEW RELEASE	HP 29/06/05		LJC 29/06/05
B	DRAWING UPDATE	JLZ 05/16/18'		
C	DRAWING UPDATE	JLZ 04/25/23'		

Female Terminal



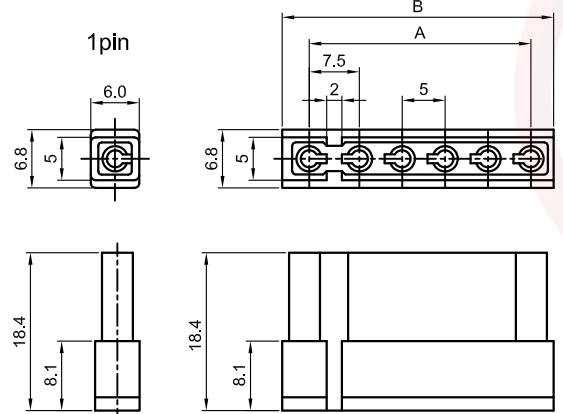
Female Terminal

Wire Range		O.D of Wire
Section Area (mm) ²	AWG#	mm
0.13~0.5	26~20	1.3~2.7

NOTES:

- MAIN SPECIFICATIONS
 - Housing material: NYLON 66
 - Wire range: AWG#26~#20
 - Rated voltage: 250V
 - Rated current: 5A
 - Contact resistance: 30mΩ max
 - Insulation resistance: 1000MΩ min
 - Withstanding voltage: 500V, AC 1 minute
 - Temperature range: -25 ~ +85°C
 - Recommend PC board thickness: 1.6mm
- PRODUCT NUMBER CODE:
 - DS1075 - X X X X X

Female Housing

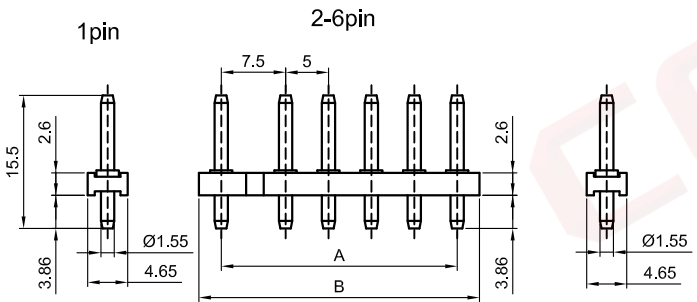


Female Housing

Position	Dimension	
	A	B
1		
2	7.5	12.5
3	12.5	17.5
4	17.5	22.5
5	22.5	27.5
6	27.5	32.5

- PRODUCT NUMBER CODE:
 - DS1075 - X X X X X
 - Contact Plating: 6: Tin, 8: Full gold flash
 - Housing Color: W: White
 - Mounting type: V: V/T type
 - Connector type: M: Male
 - No. of contact: 1 2 3 4 5 6

Male

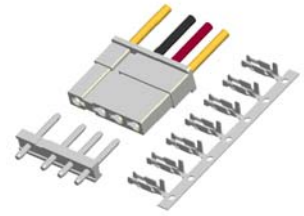


Male

Position	Dimension	
	A	B
1		
2	7.5	12.5
3	12.5	17.5
4	17.5	22.5
5	22.5	27.5
6	27.5	32.5

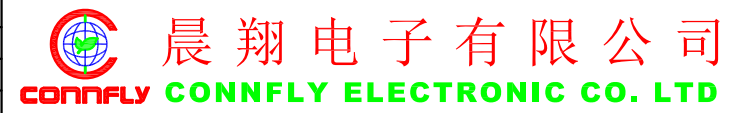
- Female Terminal
- T - DS1075 - S C X 0 0
- Contact Plating: 6: Tin, 8: Full gold flash

- Female Housing
- I - DS1075 - S C X 0 X
- No. of Housing: 01~06
 - Housing color: W: White



(Series Image-Reference Only)

GENERAL TOLERANCE		ANGLE TOLERANCE		PROJECTION		TITLE	P.C.B CONNECTOR 7.5-5..... 5mm TJC2A		
X.	±0.60	X.	±5°	UNITS	mm	SHEET SIZE	A4		
.X	±0.38	.X	±3°	SHEET SIZE	A4	SERIES	DS1075 SERIES		
.XX	±0.25	.XX	±2°					DRAWING NO. C-DS1075-XXXXX-C	



1 2 3 4 5 6 7 8