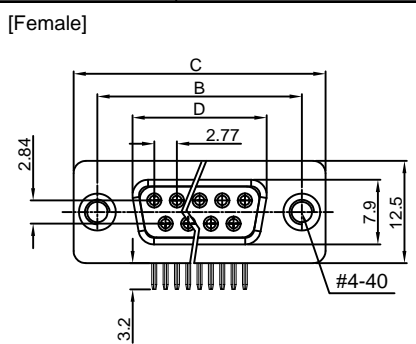


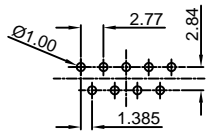
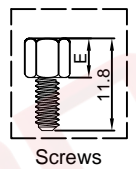
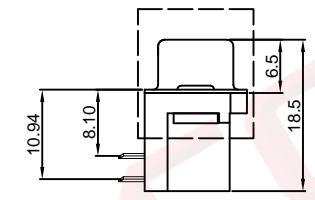
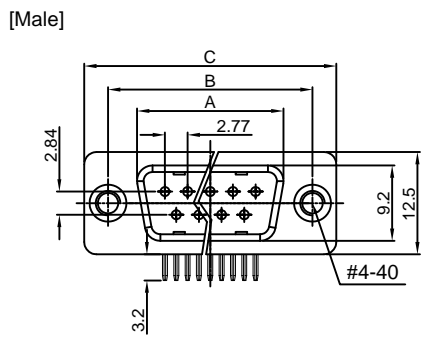
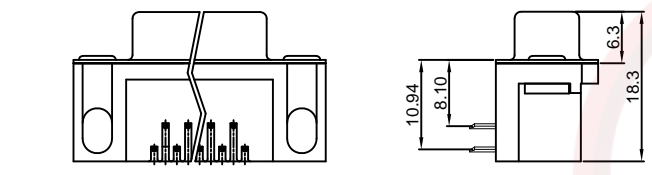
Dept Qty
 DC 1
 ED 1
 IE 1
 ISO 1
 PD 1
 R&D 1
 SD 1
 QA 1
 QC 1
 QF 1

The information provided herein is from CONNELY Electronic Co., Ltd. and is confidential. Any disclosure to a party other than the recipient is prohibited. The intellectual properties and its rights contained herein, including but not limited to, trademarks, patents, copyrights, trade secrets, and technical know-how, are owned exclusively by CONNELY or its affiliates. Unauthorized use or reproduction of any part of this document is strictly prohibited. CONNELY may enforce its intellectual property rights at its own discretion, failures or delays to exercise such rights does not constitute a waiver of such rights. Its use in any format or manner. CONNELY may enforce its intellectual property rights at its own discretion, failures or delays to exercise such rights does not constitute a waiver of such rights.



Dimension

Position	A±0.2	B±0.2	C±0.3	D
9	17.90	24.99	30.84	16.33
15	26.50	33.32	39.14	24.66
25	40.00	47.04	53.04	38.38
37	56.50	63.50	69.32	54.84



REV.	DESCRIPTION	DRAWN	CHECKED	APPROVED
A	NEW RELEASE	YCH 08/13/07'		LJC 08/13/07'
C	DRAWING UPDATE	JLZ 10/07/20'		

- NOTES:
- Electrical characteristics:
 - Contact resistance: 20mΩ Max. Initial.
 - Dielectric withstanding voltage: 500V AC(rms) for 1 minute.
 - Insulation resistance: 1000MΩ Min.
 - Environment characteristics:
 - Temperature range: -40°C~+105°C.
 - Materials:
 - Insulator:PBT+Glass fiber
 - Shell:Steel
 - Contact:Copper alloy
 - Product number code:
 DS1037 - 03 - X X X X X X X
 Screw DIM. E
 4: 4.80mm 5: 5.80mm
 Contact plating
 T: Selective gold flash
 Si: Full gold flash
 6: Full tin
 Color of housing
 K: Black B: Blue
 Screw type
 B: With rivet typ
 C: With screw and rivet type
 D: Rivet type with screws in bulk package
 Shell plating
 N: Nickel
 Connector type
 M: Male F: Female
 No. of contact
 09,15,25,37

GENERAL TOLERANCE		ANGLE TOLERANCE		PROJECTION	TITLE
X.	±0.60	X.	±5°		D-SUB R/A(7.2mm) W/O Boardlock Type
.X	±0.38	.X	±3°	mm	
.XX	±0.25	.XX	±2°	A4	
DRAWING TYPE		CUSTOMER		SHEET	SERIES
SCALE		1:1		1 OF 1	DS1037-03 SERIES
DRAWING NO.		C-DS1037-03-XXXXXXX-B			

