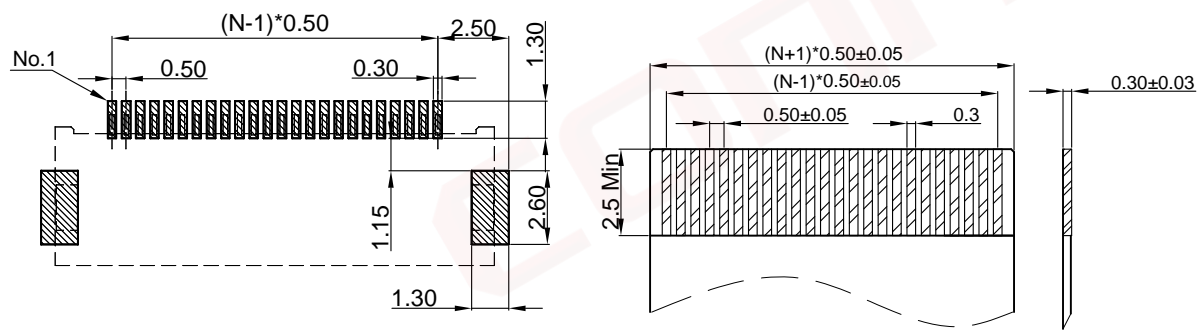
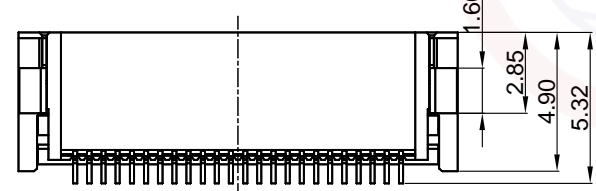
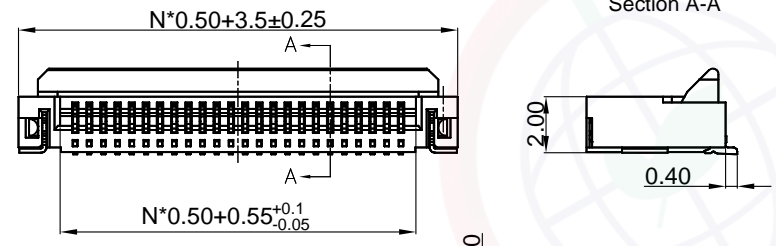
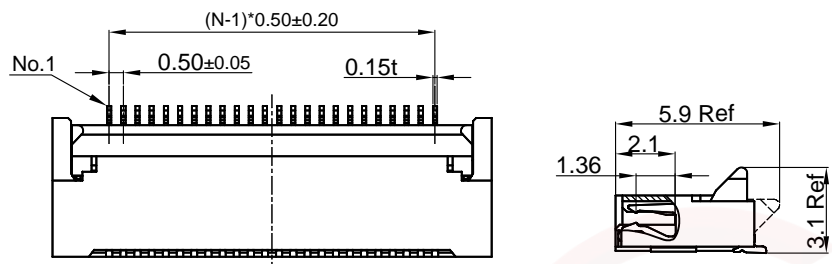


Dept	
Qty	
DC	1
ED	1
IE	1
ISO	1
PD	1
R&D	1
SD	1
QA	1
QC	1
QE	1

The information provided herein is from CONNELY Electronic Co., Ltd. and is confidential. Any disclosure to a party other than the recipient is prohibited. The intellectual properties and its rights contained herein, including but not limited to, trademarks, patents, copyrights, trade secrets, and technical know-how, are owned exclusively by CONNELY or its affiliates. Unauthorized use or reproduction of any part of this document is strictly prohibited. CONNELY may enforce its intellectual property rights at its own discretion, failures or delays to exercise such rights does not constitute a waiver of such rights.

REV.	DESCRIPTION	DRAWN	CHECKED	APPROVED
A	NEW RELEASE	JLZ 06/07/18'		
B	DRAWING UPDATE	JLZ 04/14/22'		



Recommend PCB layout(Tolerance:±0.05)

Applicable FFC



Recommend PCB layout(Tolerance:±0.05)

Notes:

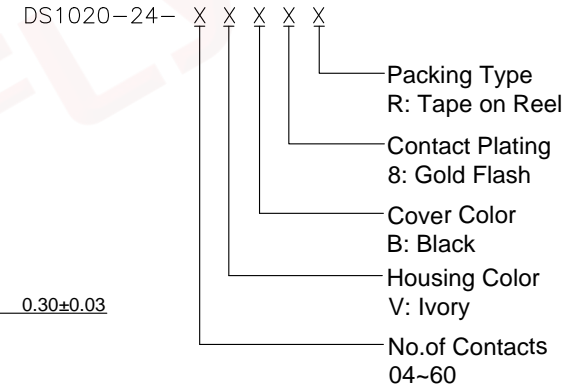
Specifications:

1. Contact Resistance: 30mΩ Max.
2. Insulation Resistance: 100MΩ Min.
3. Dielectric Withstanding Voltage: 100V AC(rms) For 1 Minute.
4. Current Rating:0.5A AC/DC.
5. Voltage Rating:50V AC/DC.
6. Temperature: -40°C~+85°C.

Materials:

1. Contact Material: Copper Alloy.
2. Contact Plating: Gold Plating Over Nickel.
3. Insulator Material: Hight-temp Plastic,Ivory,UL94-V0.
4. Cover Material: Hight-temp Plastic,Black,UL94-V0.

Product Number Code:



GENERAL TOLERANCE		ANGLE TOLERANCE		PROJECTION		TITLE	0.5mm Pitch H=2.0mm ZIF Easy-on FPC Connector	
X.	±0.60	X.	±5°	UNITS	mm	SERIES	DS1020-24 SERIES	
.X	±0.38	.X	±3°	SHEET SIZE	A4			
.XX	±0.25	.XX	±2°					
DRAWING TYPE		CUSTOMER			晨翔电子有限公司 CONNFLY CONNELY ELECTRONIC CO. LTD			
SCALE		1:1	SHEET 1 OF 1					
DRAWING NO.		C-DS1020-24-XXXXX-B						