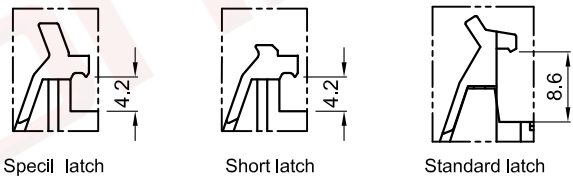
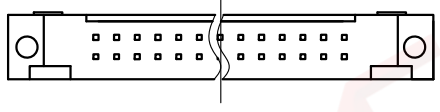
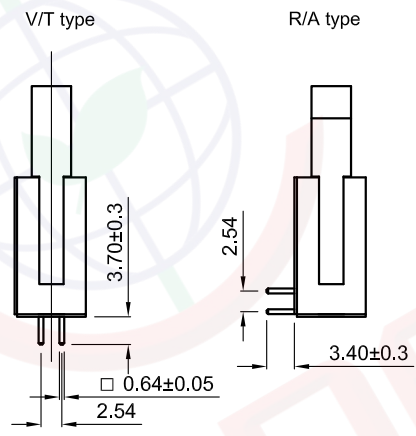
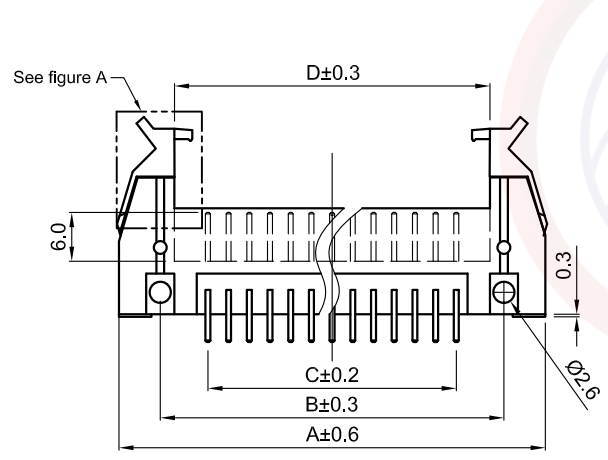
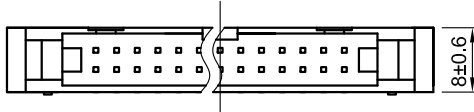


The information provided herein is from CONNELY Electronic Co., Ltd. and is confidential. Any disclosure to a party other than the recipient is prohibited. The intellectual properties and its rights contained herein, including but not limited to, trademarks, patents, copyrights, trade secrets, and technical know-how, are owned exclusively by CONNELY or its affiliates. Unauthorized use of this information in any format or manner. CONNELY may enforce its intellectual property rights at its own discretion; failures or delays to exercise such rights does not constitute a waiver of such rights.

1 2 3 4 5 6 7 8

Dept	
Qty	
DC	1
ED	1
IE	1
ISO	1
PD	1
R&D	1
SD	1
QA	1
QC	1
QE	1

REV.	DESCRIPTION	DRAWN	CHECKED	APPROVED
A	NEW RELEASE	LJC 04/27/05'		LJC 04/27/05'
B	DRAWING UPDATE	JLZ 08/24/18'		
C	DRAWING UPDATE	JLZ 05/06/24'		



NOTES:

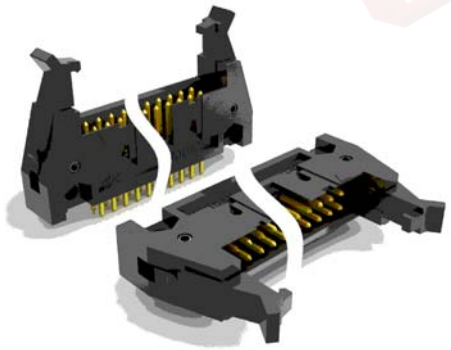
- Electrical characteristics:
 - Contact resistance: 20mΩ Max. Initial.
 - Dielectric withstanding voltage: 500V AC(rms) for 1 minute.
 - Insulation resistance: 1000MΩ Min.
- Environment characteristics:
 - Operating temperature: -40°C~+105°C.
 - Mating Face area warpage is 0.6mm Maximum.
- Product number code:

DS1011-07- X X X X X X

- Lock DIM.
 - 8: 8.60mm(standard latch)
 - 2: 4.20mm(short latch)
 - S: 4.2mm(special latch)
- Housing color
 - B: Black
 - A: Gray
- Contact plating
 - Si: Full gold flash
- Housing type
 - S: Small latch housing
- Mounting type
 - S: Straight type
 - R: R/A type
- No. of contacts
 - 10 14 16 20 26 30
 - 34 40 50 60 64

Available dimension table

No. of Contacts	10	14	16	20	26	30	34	40	50	60	64
A	31.92	37.00	39.54	44.62	52.24	57.32	62.40	70.02	82.72	95.42	100.50
B	21.72	26.80	29.34	34.42	42.04	47.12	52.20	59.82	72.52	85.22	90.30
C	10.16	15.24	17.78	22.86	30.48	35.56	40.64	48.26	60.96	73.66	78.74
D	18.22	23.30	25.84	30.92	38.54	43.62	48.70	56.32	69.02	81.72	86.80



(Series Image-Reference Only)

GENERAL TOLERANCE		ANGLE TOLERANCE		PROJECTION		TITLE	SHOUED HEADER PITCH 2.54mm	
X.	±0.60	X.	±5°	UNITS	mm		SQUARE PIN TYPE	
.X	±0.38	.X	±3°	SHEET SIZE	A4	SERIES	DS1011-07 SERIES	
.XX	±0.25	.XX	±2°	晨翔电子有限公司 CONNFLY CONNFLY ELECTRONIC CO. LTD				
DRAWING TYPE		CUSTOMER						
SCALE	1:1	SHEET	1 OF 1					
DRAWING NO.		C-DS1011-07-XXXXX-C						

1 2 3 4 5 6 7 8